

# Vitec 480 Vibration Switch

## Reliable, Low-Cost Machinery Protection

The Vitec 480 is a compact vibration switch which combines the functions of a vibration transducer, transmitter and monitor.

It provides low-cost protection of rotating machinery by signaling users when excessive vibration levels exist, indicating developing machinery problems.

Ideal for motors, fans, cooling towers and a wide range of general purpose rotating machinery and processing equipment.

## User Benefits

### Broad-Range Protection

Provides protection across a wide range of vibration frequencies for detecting imbalance, misalignment, bearing defects and other machinery-related problems.

### Vibration Level Setpoints

Two relays are included which activate when each of two Customer-specified vibration levels are reached. These relays can be connected to devices to provide visual, audible or external relay activation when the vibration limit has been reached or exceeded. The higher vibration level selected is often used to shut down the rotating equipment to avoid its damage.

### Equipment Compatibility

Current output is proportional to vibration for use with meters, computers and other devices.



### Easily Expandable

Low cost way to start or expand a monitoring program. Can be used as transducer input for future monitoring systems.

### Simple Installation

Single-point stud mounting permits fast, easy installation.

### Weatherproof and Explosion-Proof

Permits operation in adverse environmental or plant conditions.



# SPECIFICATIONS

**Full Scale Range:**

0-1.0 or 0-3.0 in/sec  
field selectable

**Frequency Response:**

5-1000 Hz

**Dual Set Points:**

2 Customer selectable, field adjustable from 5-100% of full scale

**Time Delay:**

Field adjustable from 0-20 seconds

**Relays (solid-state triacs):**

Rated at 1 amp; field selectable, normally open or normally closed below set-points. Field selectable, latching or non-latching. Remote reset capability. Relay inhibit capability.

**Input Power:**

Specify 120/220 VAC or 24 VDC.

**DC Analog Output:**

4-20 mA DC

**AC Output:**

Proportional to velocity or acceleration, field selectable

**Operating Temperature Range:** -25 to 160F**Measurement Mode:**

Velocity

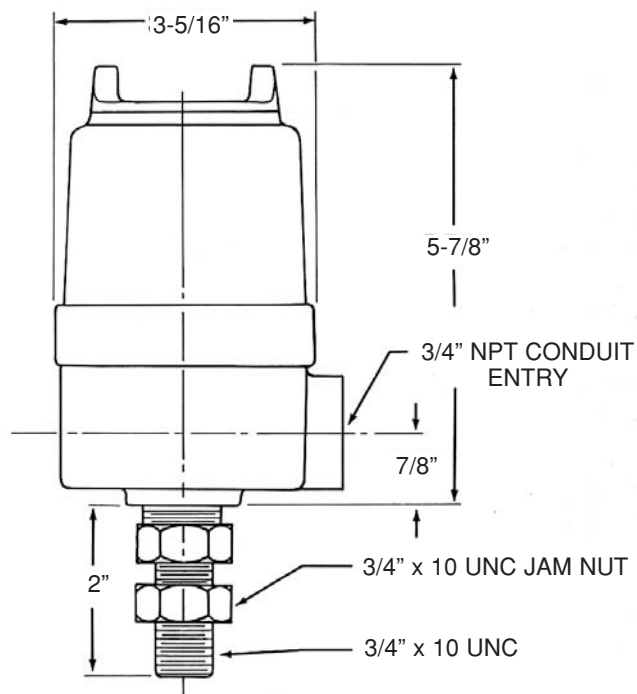
**Housing:**

Explosion/weather-proof aluminum-alloy construction

**Mounting:**

Single, 3/4"-10 stud

## DIMENSIONS:



## MOUNTING:

